

## Isocrete Acoustic K

A separating floor system designed to provide acoustic insulation between the precast concrete slab and a 50mm Isocrete K-Screed.

For new build or renovation projects where the resistance to the passage of sound is required.



### Reduces Sound:

Separates floors in domestic and other building that require acoustic insulation.



### Rapid Installation:

Using in conjunction with Isocrete K-Screed reduces construction times.



### High Strength Finish:

Provides a strong and durable screed ready to receive a variety of finishes.



### Compliant:

Complies with a variety of building regulations. Contact Technical Dept.



### Technical Profile (Full System)

#### TEST DETAILS

Test Organisation: Sound Research Laboratories Ltd

#### TEST METHODS

BS EN ISO 140-3: 1995-TP15 & BS EN ISO 140-6: 1998-TP12

#### RESULTS INTERPRETATION

BS EN ISO 717-1:1997 & BS EN ISO 717-2

The test results achieved exceed the requirements of Approved Document E of the Building Regulations 2003 which requires:  
Airborne Sound performance minimum 45dB  
Impact Sound performance maximum 62dB

### Technical Profile (K Screed)\*

#### DENSITY (APPROX)

1,800 - 2,000 kg/m<sup>3</sup>

#### BRE TEST CATEGORY

BS 8204-1

Cat: A

#### COMPRESSIVE STRENGTH (28 DAYS)

BS EN 196-1

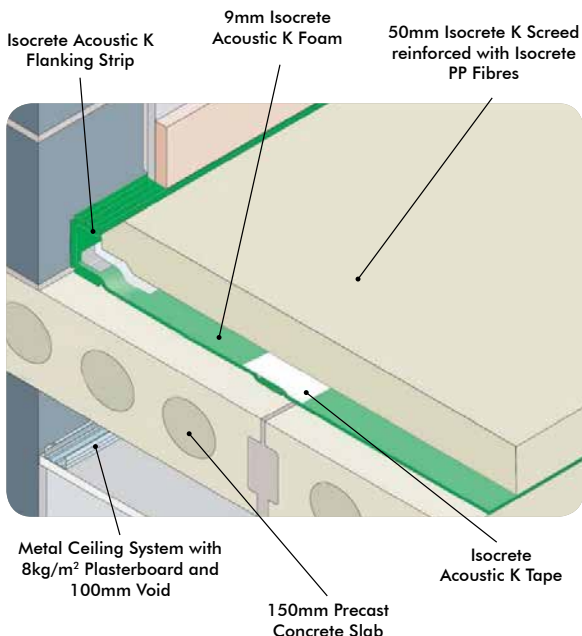
Standard K-Screed: >25 N/mm<sup>2</sup>  
Heavy Duty K-Screed:  
>30 N/mm<sup>2</sup>

#### SPEED OF CURE

	10 °C	20 °C
Working Time	2-3 h	2 h
Light Foot Traffic	48 h	24 h
Full Traffic	7 d	7 d
Curing Under Polythene	7 d	7 d

Drying time to receive finishes (BS8203) 1 week per 25mm in good drying conditions (20°C, 50% RH, good ventilation) from removal of the curing polythene sheet.

\* These figures are typical properties achieved in laboratory tests at 20°C and at 50% Relative Humidity.



## Model Specification

System	Isocrete Acoustic K
Manufacturer	Flowcrete Asia

Preparatory work and application in accordance with manufacturer's instructions.

### Acoustic K

A precast concrete floor slab with a 50mm Isocrete K-Screed separated by a 9mm resilient layer with junctions formed using a prefabricated edge strip. A ceiling of 8kg/m<sup>2</sup> plasterboard fixed to a metal frame system with a minimum 100mm void.

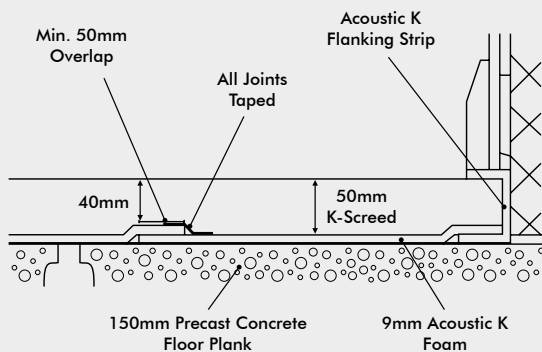
Precast concrete hollow core slab 150mm thick (minimum mass of 300kg/m<sup>2</sup>). Joints between planks filled with sand cement mix grout.

Resilient layer under screed of 9mm Isocrete Acoustic K Foam with joints overlapped by 50mm and taped with Isocrete Acoustic K Tape.

Junctions with walls formed using Isocrete Acoustic K Flanking Strip.

A 50mm Isocrete K-Screed reinforced with Isocrete PP fibres.

### Floorzone - Through Section



## Installation Service

The installation should be carried out by a licensed contractor with a documented quality assurance scheme. For details of our licensed contractors, contact our customer service team or enquire via our website at [www.flowcreteasia.com](http://www.flowcreteasia.com)

## Environmental Considerations

The finished system is assessed as non-hazardous to health and the environment. The long service life and seamless surface reduce the need for repairs, maintenance and cleaning. Environmental and health considerations are controlled during manufacture and application of the products by Flowcrete staff and fully trained and experienced contractors.

## Important Note

Flowcrete products are guaranteed against defective materials and manufacture and are sold subject to our standard 'Warranty, Terms and Conditions of Sale', copies of which can be obtained on request. Warranty does not cover suitability, fit for purpose or any consequential or related damages.

## Further Information

To ensure you are specifying a fit-for-purpose floor, please consult our Technical Advisors or visit our website to register your interest in specifying one of the most durable floors on the market.

	Acoustic K Foam	K Screed
BBA		✓
Sound Tests	✓	✓
Licensed Installer	✓	✓
Supplied to Flowcrete	✓	✓
Moisture Resistance	✓	✓
Warranty	✓	✓
Part E	✓	✓

1. Light colours may require additional coats to achieve desired results 2. It is recommended that top coat colours are close to base coats colours to achieve desired results 3. This product is not UV stable and may discolour unless otherwise stated 4. System Data Sheet to be read in conjunction with Method Statement and Product data Sheets.

Flowcrete Asia +60 3 6277 9575  
Flowcrete Hong Kong +852 2795 0478

Flowcrete Indonesia +62 21 252 3201  
Flowcrete Thailand +66 2 539 3424

Don't see your location listed? Visit [www.flowcreteasia.com](http://www.flowcreteasia.com) to find your nearest office.